

Model : ABYG18LVTB / ABYG24LVTA



Wireless R.C.



For ABYG18LVTB



For ABYG24LVTA



Features

Flexible installation

Example for floor installation

Floor console



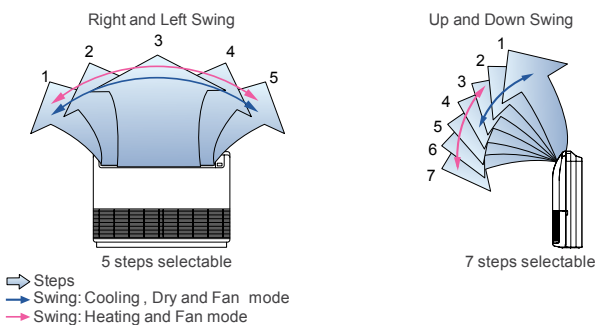
Example for ceiling installation

Under ceiling

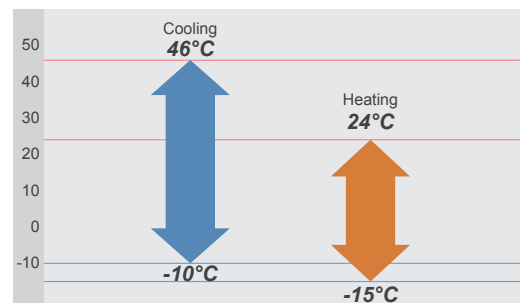


Double auto swing

A combination of right/left and up/down directional swing allows 3-dimensional air direction control



Low ambient operation



Easy installation

Main work settings can be done easily from the remote controller at installation

Main work settings

- High ceiling setting
- Auto restart
- Temperature adjustment when cooling / heating

Optional parts

Wired Remote Controller: UTY-RNNYM, UTY-RVNYM
Simple Remote Controller: UTY-RSNYM

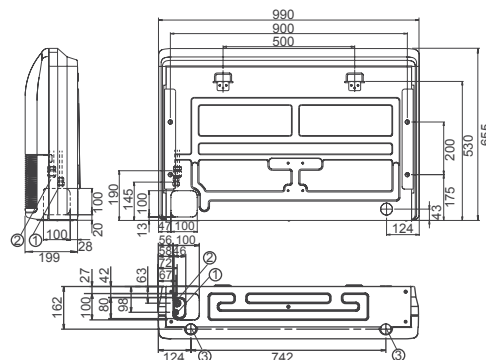


Specifications

Model No.	Indoor unit		ABYG18LVTB	ABYG24LVTA
	Outdoor unit		AOYG18LALL	AOYG24LALA
Power Source	V/Ø/Hz		230/1/50	230/1/50
Capacity	Cooling	kW	5.2 (0.9-5.9)	6.8 (0.9-8.0)
	Heating		6.0 (0.9-7.5)	8.0 (0.9-9.1)
Input Power	Cooling/Heating	kW	1.62/1.66	2.21/2.26
EER	Cooling	W/W	3.21	3.08
COP	Heating		3.61	3.54
Pdesign	Cooling/Heating	kW	5.2/5.2	6.8/6.0
SEER	Cooling	W/W	6.10	5.60
SCOP	Heating		4.00	3.90
Energy Efficiency Class	Cooling		A++	A+
	Heating		A+	A
Running Current	Cooling/Heating	A	7.2/7.4	9.7/9.9
Annual Energy Consumption	Cooling	kWh/a	298	425
	Heating		1819	2150
Moisture Removal			l/h	2.0
Sound Pressure (Cooling)	Indoor	H/M/L/Q	43/40/34/31	
	Outdoor	High	50	52
Sound Power (Cooling)	Indoor	High	57	61
	Outdoor	High	62	67
Airflow Rate (High)	Indoor / Outdoor		m³/h	780/2000
			mm	199x990x655
Net Dimension H x W x D	Indoor		kg(lbs)	27 (59)
			mm	578x790x300
	Outdoor		kg(lbs)	40 (88)
			mm	578x790x315
Piping Connections (Small / Large)		mm	6.35/12.70	
Drain Hose Diameter (I.D./O.D.)			25/32	
Max Pipe Length (Pre-Charge)		m	25 (15)	
Max Height Difference			15	
Operation Range	Cooling	°CDB	-10 to 46	
	Heating		-15 to 24	
Refrigerant (Global Warming Potential)			R410A (1,975)	

Dimensions Models : AYG18LVTB / AYG24LVTA

(Unit : mm)



- ① Refrigerant piping flare connection (Liquid)
- ② Refrigerant piping flare connection (Gas)
- ③ Drain piping connection